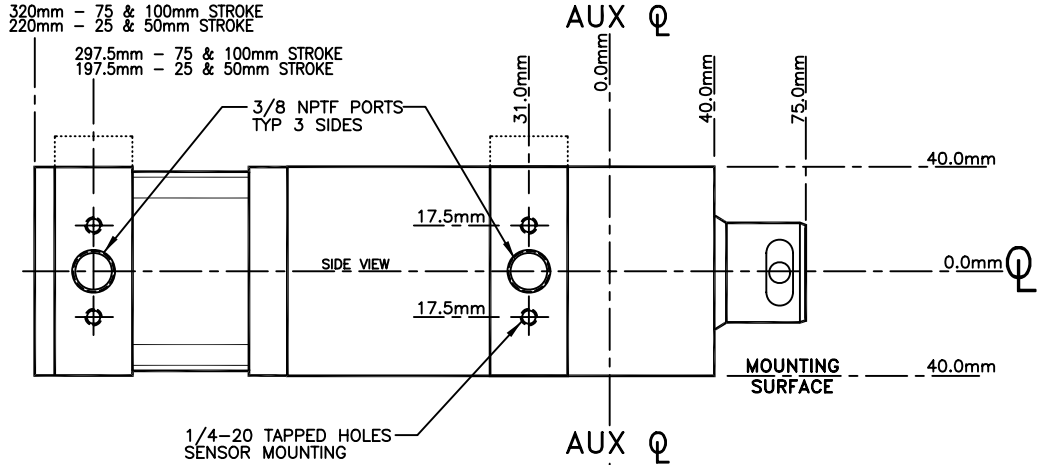


ZAYTRAN LSA-80

COMPLIES WITH:
NAAMS GLOBAL STANDARD COMPONENTS - ASSEMBLY
CHAPTER P - RETRACTABLE LOCATING PIN PACKAGE

Stroke	25, 50, 75, 100mm
Rap	2mm Optional
Bore Diameter	70mm
Maximum Pressure	69 BAR (1000 PSI)
Actuation	Hydraulic or Pneumatic
25/50mm of Stroke	Weight of Pin Assembly 14.3 lbs (6.5 kg)
75/100mm of Stroke	17.6 lbs (8.0 kg)



Model Nomenclature:
LSA-80-(STROKE)-(S or L#)-(RAP or Nrap)

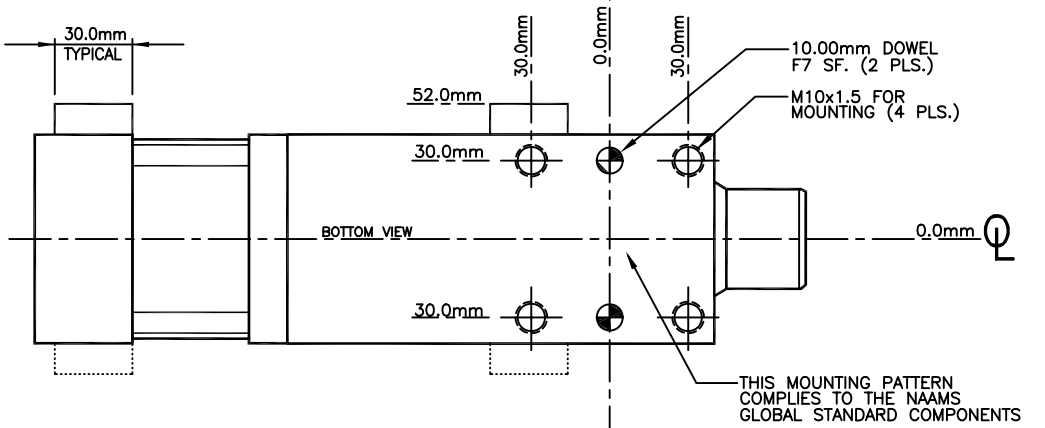
Note: # = 1,2,3,4 Flat Position
(Position 1 is Standard)

S= Shaft For Inline Pin Mounting
L= L-Block Pin Mounting

Example: LSA-80-50-L1-RAP

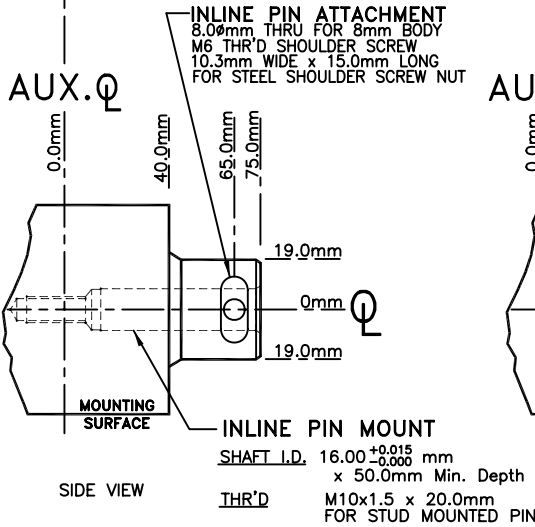
Included with Each "S" Unit:

- Shoulder Bolt with Steel Nut
- Pin Retaining Stud
- Permanent Risers for Cylinders
- Utilizes Standard 1.025" Cylinders



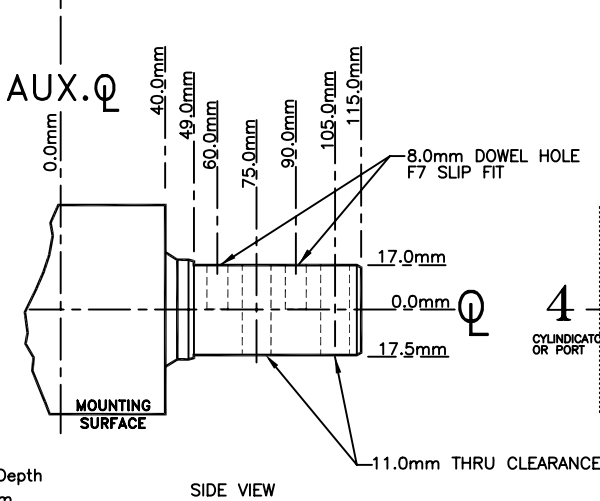
"S" INLINE MOUNTING

SHAFT SHOWN AT RETRACTED POSITION



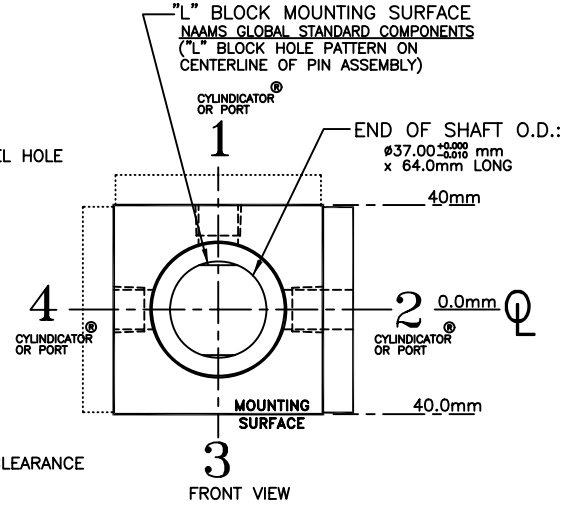
"L" BLOCK MOUNTING

SHAFT SHOWN AT RETRACTED POSITION



"L" BLOCK FLAT POSITION

*STANDARD POSITION AT #1 SHOWN BELOW



PSI	FORCE (pounds)	
	EXTEND	RETRACT
100	594	417
95	564	396
90	535	376
85	505	355

PSI	FORCE (pounds)	
	EXTEND	RETRACT
80	475	334
75	445	313
70	416	292
65	386	271
60	356	250