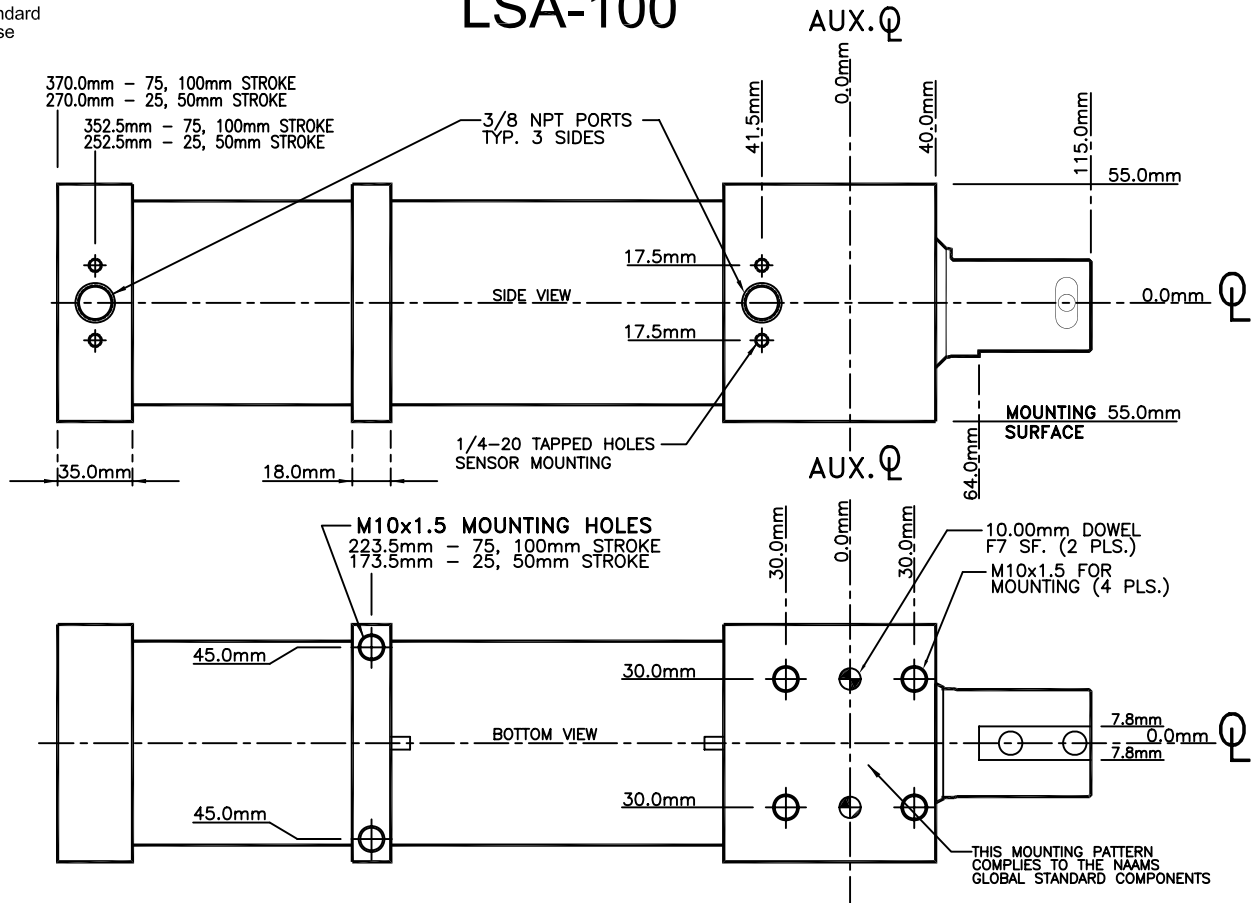


ZAYTRAN LSA-100

Larger than
NAAMS Global Standard
For Heavier Duty Use

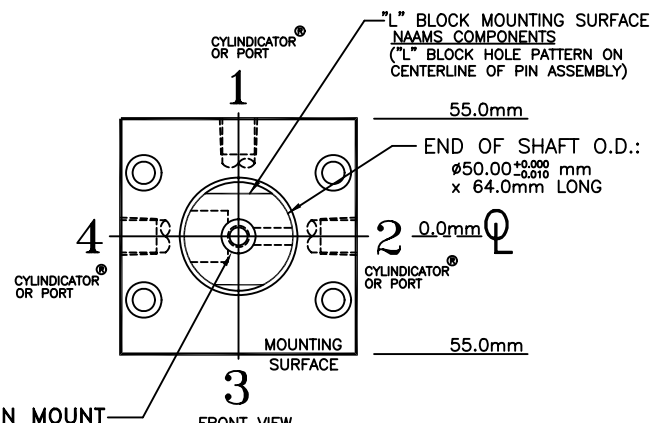
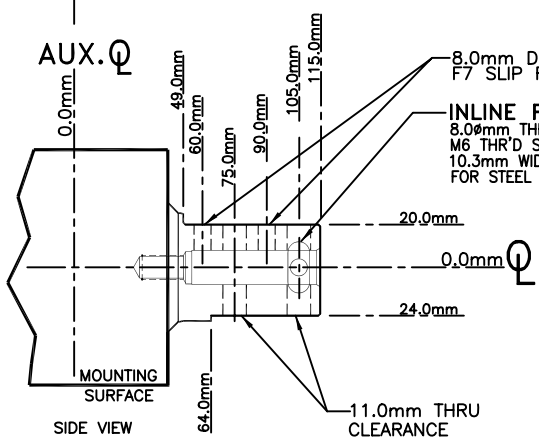


PIN MOUNTING

SHAFT SHOWN AT RETRACTED POSITION

"L" FLAT POSITION

*STANDARD POSITION AT #1 SHOWN BELOW



INLINE PIN MOUNT

SHAFT I.D. 16.00^{+0.015}_{-0.000} mm
x 50.0mm Min. Depth

THR'D M10x1.5 x 20.0mm
FOR STUD MOUNTED PIN

Model Nomenclature:
LSA-100-(STROKE)-(L#)-(RAP or NOrap)
Note: # = 1,2,3,4 Flat Position
(Position 1 is Standard)
Example: LSA-100-50-L1-RAP

Included with Each Unit:
Shoulder Bolt with Steel Nut
Pin Retaining Stud

Utilizes Standard 1.025" Cylindicators

Stroke	25, 50, 75, 100mm
Rap	2mm Optional
Bore Diameter	83mm
Maximum Pressure	69 BAR (1000 PSI)
Actuation	Hydraulic or Pneumatic
25/50 mm of Stroke	Weight of Pin Assembly 28 lbs (15.5 kg)
75/100 mm of Stroke	34.5 lbs (12.8 kg)

PSI	FORCE (pounds)	
	EXTEND	RETRACT
100	830	520
95	790	490
90	750	460
85	710	440
80	660	410
75	620	390
70	580	360
65	540	340
60	500	310